

HELI

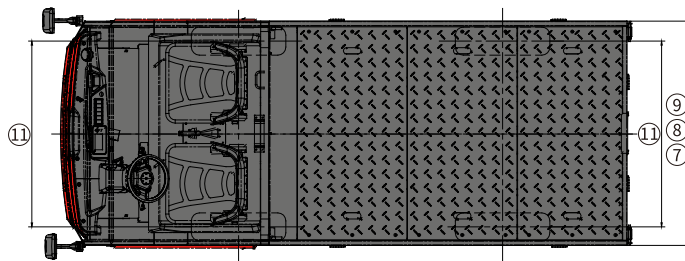
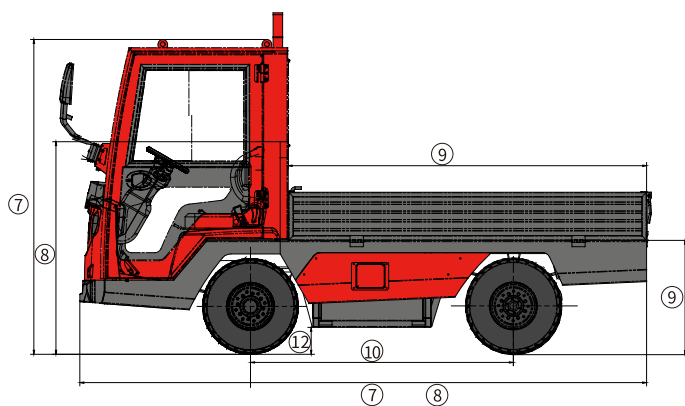
4400-6600lbs [2.0-3.0t] 

**G2Series Lithium Battery
Platform Truck**



G2 SERIES 4400-6600 lbs

Technical Parameters			
1	Model	Unit	BD20-J2G2Li BD30-J2G2Li
2	Driving mode		Seated
3	Load capacity	lb	4400 6600
4	Weight	lb	1450(with cab)/1200(without cab)
5	Front-rear tires load without load	lb	1430/1210
6	Type		Pneumatic tires
	Front tire		6.50-10-10PR
	Rear tire		6.50-10-10PR
7	(With cab) Truck dimension(length*width*height)	in	139x55x77.4
8	(without cab) Truck dimension(length*width*height)	in	139x55x52.4
9	Platform size(length*width*height)	in	88.2x55x26.8
10	Wheelbase	in	65
11	Tread		
	Front tire	in	45.7
	Rear tire	in	45.7
12	Min.Ground clearance	in	5.1
13	Min.turning radius	in	122
14	Driving speed (with/without load)	mph	7.5/9.9
15	Gradeability(with load)	%	10
16	Driving brake		Hydraulic brake and electric brake
17	Traction base height		Mechanic
18	Driving mode		Rear wheel drive
19	Drive motor rated power	HP	5.4 6.7
20	Steering motor	HP	1.8
21	Battery	V/Ah	48/202



HELI AMERICA INC

* Our products are subject to improvements and changes without notice.

ADD: 4025 Welcome All Road, Suite 150 Atlanta, GA30349, U.S.A.

E-MAIL:heli@heliforkliftamerica.com