

**HELI**

www.heliforklift.net

**HELI**

## CQD14X2 / CQD16-18X1 3000-4000 lbs [1.4-1.8t]

48V Reach Truck  
G Series AC Electric



\* Details of specifications and equipment are based on information available at time of printing and may change without notice.

### **HELI AMERICA INC**

ADD: 4025 Welcome All Road, Suite 150 Atlanta, GA30349, U.S.A.

E-MAIL: heli@heliforkliftamerica.com

TEL: 404-242-3288

Catalog No.20220117 Fokeli Print



**CQD14X2**  
**CQD16X1**  
**CQD18X1**  
GA2RLI GB2RLI GC2RLI

**LIION**

**CQD14X2**  
GA2RLI/GB2RLI/GC2RLI

**CQD16X1**-GB2RLI

**CQD18X1**-GB2RLI



## Operator comfort

- Rear padding and armrest help reduce fatigue
- Multifunction control is ergonomically designed and easy to use
- All controls are within easy reach to help reduce body strain
- Compartment floor is angled and spring suspended to reduce leg and back strain

## Energy efficiency

- With an optimized hydraulic system, truck is more energy efficient
- All LED lights saves 80% of lighting energy
- Regenerative motor braking recycles more energy during braking cycles
- Programmable speed and acceleration settings can be set for maximum energy efficiency

## Safety



Side stance improves operator's visibility both forward and backward



Automatic park brake applies when operator leaves the compartment or shuts forklift off



Programmable automatic deceleration in turns adds to safe operation



Warning lights and OPS system come standard

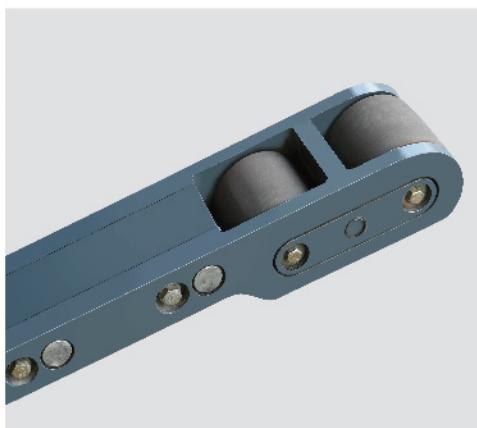


Operator compartment provides comfort and efficient operation





Great visibility for improved operation and safety



Bolt on outrigger boxes and easy change load wheels



Easy access to drive components



Adjustable backrest and armrest help reduce fatigue



## Improved operator's view

- Large, rounded overhead guard is stylish and combined with strategically angled bars provides maximum visibility
- Newly designed, wide view mast with special chains enlarges the operator's view looking forward

## Working efficiency

- Small turning radius makes steering flexible and easy
- With ZAPI control and AC powered motors, drive and lift systems can be programmed for maximum efficiency and performance
- The large battery capacity for longer single shift work operation
- With standard battery roller and side removal, battery change is quick and easy

## Serviceability

- Side door gives easy access to drive motor and gearbox
- Chassis components are well laid-out and can be accessed with removable top and front covers

## Wide view mast and pantograph

- Comes standard with side shift, tilt and reach functions
- Wide-view mast and pantograph maximize operator's view
- Lift cylinders have end stroke cushions for smooth stopping
- ZAPI controller provides in transit buffers to ensure smooth lifting and lowering throughout the lifting cycle
- The controller also provides in-transit and end stroke buffer for the reach function

## Overhead guard

- Overhead guard attaches directly to mast to eliminate front guard legs
- Optimally designed for maximum operator visibility
- Standard with left side guard leg for added strength
- Optional operator compartment guard leg for added safety





# Heli's New Reach Trucks

## Designed for productivity



ZAPI smart display & multi-function joystick

## Designed for safety



Standard lights, mesh finger guard & overhead guard with leg

## Designed for serviceability



Easy to remove covers to access all electric and hydraulic components

### Manufacturer's Data and Design Characteristics

Characteristics				<b>HELI</b>				
1.01	Manufacturer							
1.02	Model			CQD16X1		CQD18X1		
1.03	Configuration number			GB2RLI		GB2RLI		
1.04	Load capacity	Q	lb	kg	3500	1600	4000	1800
1.05	Load center	C	in	mm	24	600	24	600
1.06	Power mode				Electric			
1.07	Operator Type				Stand			
1.08	Wheel base	L2	in	mm	55	1407	57	1457
1.09	Voltage		v	v	48	48	48	48
Tire								
2.01	Tire type				Polyurethane	Polyurethane	Polyurethane	Polyurethane
2.02	Wheel number,drive/load/caster (X=drive wheel)				1×/4/2	1×/4/2	1×/4/2	1×/4/2
2.03	Wheel size,load (diameter x length)		in	mm	Φ5×3.7	Φ127×95	Φ5×3.7	Φ127×95
2.04	Wheel size,drive (diameter x length)		in	mm	Φ13×5.5	Φ330×140	Φ13×5.5	Φ330×140
2.05	Wheel size,caster (diameter x length)		in	mm	Φ7.4×3	Φ178×76	Φ7.4×3	Φ178×76
Dimensions								
3.01	Lift height (with standard mast)	H	in	mm	210	5330	210	5330
3.02	Mast height,lowered	H1	in	mm	99	2526	99	2526
3.03	Free lift	H8	in	mm	59	1490	59	1490
3.04	Fork size (thickness x width x length)		in	mm	1.4×3.9×36.2	35×100×920	1.4×3.9×36.2	35×100×920
3.05	Fork adjusting width	W4	in	mm	9.6~28.5	244~724	9.6~28.5	244~724
3.06	Tilt (forward/backward)		deg	deg	3°/4°	3°/4°	3°/4°	3°/4°
3.07	Fork sideshifting		in	mm	±2	±50	±2	±50
3.08	Truck body length(fork excluded)	L	in	mm	71	1815	73	1865
3.09	Truck body width	W	in	mm	43	1090	43	1090
3.10	Straddle leg, inside width	W2	in	mm	33~51	845~1300	33~51	845~1300
3.11	Straddle leg, outside width	W1	in	mm	47~59	1192~1492	47~59	1192~1492
3.12	Fork carriage width	W3	in	mm	33	842	33	842
3.13	Reach distance	S	in	mm	24	600	24	600
3.14	Height of overhead guard	H7	in	mm	91	2320	91	2320
3.15	Battery bottom clearance	H4	in	mm	7	180	7	180
3.16	Straddle clearance	H5	in	mm	2	50	2	50
3.17	Straddle height	H9	in	mm	5	130	5	130
3.18	Step height	H6	in	mm	10	250	10	250
3.19	Minimum turning radius	Wa	in	mm	67	1695	69	1745
3.20	Rear overhang (drive wheel center to rear of frame)	L1	in	mm	10	252	10	252
3.21	Front fork face to rear of frame distance	L4	in	mm	55	1396	55	1396
3.22	Aisle width with pallet 48"Lx48"w (1200x1200)	Ast	in	mm	109	2771	111	2812
3.23	Aisle width with pallet 40"Lx40"w (1000x1000)	Ast	in	mm	100	2550	102	2591
Performance								
4.01	Travel speed loaded/unloaded		mph	km/h	6.5/7.3	10.5/11.8	6.5/7.3	10.5/11.8
4.02	Lift speed loaded/unloaded		fpm	mm/s	65/100	330/510	65/100	330/510
4.03	Lowering speed loaded/unloaded		fpm	mm/s	98/98	500/500	98/98	500/500
4.04	Reach speed loaded/unloaded		fpm	mm/s	22/30	110/150	22/30	110/150
4.05	Max.gadeability loaded/unloaded - 5 minute rating		%	%	10/15	10/15	10/15	10/15
Weight								
5.01	Total weight(without battery)		lb	kg	5400	2450	5644	2560
5.02	Axle loading, no load (fomt/rear)		lb	kg	2844/4321	1290/1960	2954/4762	1340/2160
5.03	Axle loading, loaded (fornt/rear)		lb	kg	7165/3527	3250/1600	7606/3968	3450/1800
Battery								
6.01	Capacity at 6 hr.Discharge rate		kwh	Ah	19.4	404	19.4	404
6.02	Maxmum battery weight		lb	kg	1800	820	2000	910
6.03	Minimum battery weight		lb	kg	1635	742	1840	835
6.04	Battery compartment dimension		in	mm	39.5×15.2×31.8	1005×388×810	39.5×16.8×31.8	1005×428×810
Motor and controller								
7.01	Driving motor power		HP	kw	9.4	7	9.4	7
7.02	Lifting motor power		HP	kw	20.1	15	20.1	15
7.03	Steering motor power		HP	kw	0.8	0.6	0.8	0.6
7.04	Type of driving control				MOSFET/AC			
7.05	Type of lifting control				MOSFET/AC			
7.06	Type of steering control				MOSFET/AC			
7.07	Transmission box				HELI special			
7.08	Service brake				Electric			
7.09	Hydraulic system working pressure		PSI	Mpa	3050	21	3050	21

NOTE: For detailed information about battery,please contact your authorized HELI dealer.  
These are "Zero Clearance" aisles in the table and require an additional 150mm or more to be added to provide for easier maneuvering.

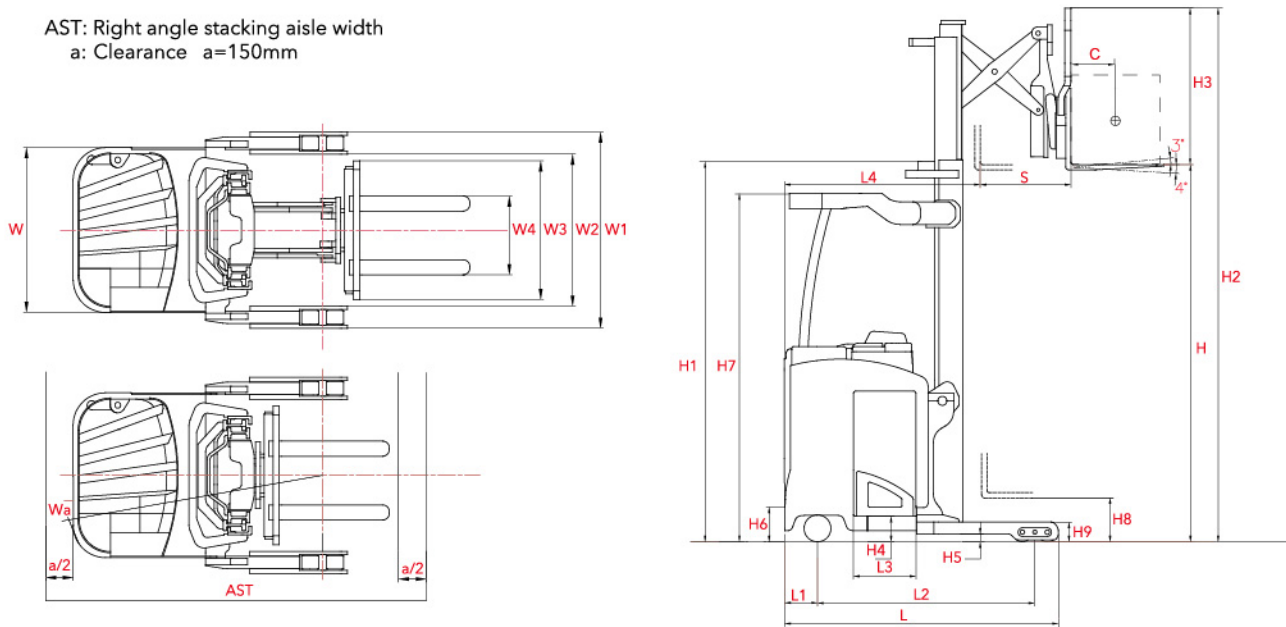


**Manufacturer's Data and Design Characteristics**

Characteristics										
1.01	Manufacturer								<b>HELI</b>	
1.02	Model				CQD14X2		CQD14X2		CQD14X2	
1.03	Configuration number				GA2RLI		GB2RLI		GC2RLI	
1.04	Load capacity	Q	lb	kg	3000	1350	3000	1350	3000	1350
1.05	Load center distance	C	in	mm	24	600	24	600	24	600
1.06	Power model				Lithium Battery		Lithium Battery		Lithium Battery	
1.07	Driving model				Stand		Stand		Stand	
1.08	Wheel base	L2	in	mm	61.3	1557	62.7	1593	65.2	1655
1.09	Voltage		v	V	48		48		48	
Tire										
2.01	Tyre type				PU		PU		PU	
2.02	Wheel nuber,drive/load/caster(X=drive wheel)				1x/4/2		1x/4/2		1x/4/2	
2.03	Wheel size,load		in	mm	Φ5×3.7	Φ127×95	Φ5×3.7	Φ127×95	Φ5×3.7	Φ127×95
2.04	Wheel size,drive		in	mm	Φ13×5.5	Φ330×140	Φ13×5.5	Φ330×140	Φ13×5.5	Φ330×140
2.05	Wheel size,caster		in	mm	Φ7.4×3	Φ178×76	Φ7.4×3	Φ178×76	Φ7.4×3	Φ178×76
Dimensions										
3.01	Lift height	H	in	mm	210	5330	210	5330	210	5330
3.02	Free lift	H1	in	mm	99	2526	99	2526	99	2526
3.03	Mast height,lowered	H8	in	mm	59	1490	59	1490	59	1490
3.04	Fork size,htickness/width/length	s/e/l	in	mm	1.4×3.9×36.2	35×100×920	1.4×3.9×36.2	35×100×920	1.4×3.9×36.2	35×100×920
3.05	Fork adjusting width	W4	in	mm	9.6~28.5	244~724	9.6~28.5	244~724	9.6~28.5	244~724
3.06	Tilt		deg	deg	3°/4°		3°/4°		3°/4°	
3.07	Fork sideshifting		in	mm	±2	±50	±2	±50	±2	±50
3.08	Truck body length(fork excluded)	L	in	mm	77	1954	78	1990	81	2052
3.09	Truck body width	W	in	mm	42.9	1090	42.9	1090	42.9	1090
3.10	Fork carriage width	W3	in	mm	33	842	33	842	33	842
3.11	Reach distance	S	in	mm	43	1080	43	1080	43	1080
3.12	Height of overhead guard	H7	in	mm	91	2320	91	2320	91	2320
3.13	Battery bottom clearance	H4	in	mm	7.1	180	7.1	180	7.1	180
3.14	Straddle clearance	H5	in	mm	2	50	2	50	2	50
3.15	Straddle height	H9	in	mm	5.1	130	5.1	130	5.1	130
3.16	Step height	H6	in	mm	9.8	250	9.8	250	9.8	250
3.17	Minimum turning radius	Wa	in	mm	72	1838	74	1874	76	1936
3.18	Drive wheel center to truck body rear distance	L1	in	mm	9.9	252	9.9	252	9.9	252
3.19	Fork front to truck body rear distance	L4	in	mm	60	1529	62	1565	64	1627
3.20	Aisle width with pallet 1200Lx1200w	Ast	in	mm	116	2935	117	2971	119	3033
3.21	Aisle width with pallet 1000Lx1000w	Ast	in	mm	107	2713	108	2749	111	2811
Performance										
4.01	Travelling speed,with/without load		mph	km/h	6.2/6.8	10/11	6.2/6.8	10/11	6.2/6.8	10/11
4.02	Lifting speed,with/without load		fpm	mm/s	65/100	330/510	65/100	330/510	65/100	330/510
4.03	Lowering speed,with/without load		fpm	mm/s	98/98	500/500	98/98	500/500	98/98	500/500
4.04	Reach speed,with/without load		fpm	mm/s	22/30	110/150	22/30	110/150	22/30	110/150
4.05	Maximum climb capability,with/without load		%	%	10/15		10/15		10/15	
Weight										
5.01	Total weight(without battery)		lb	kg	6063	2750	6107	2770	6151	2790
5.02	Axle loading, no load (fornt/rear)		lb	kg	3040/4897	1379/2221	3182/5125	1443/2325	3374/5277	1530/2394
5.03	Axle loading, loaded (fornt/rear)		lb	kg	6635/4278	3010/1940	6860/4423	3112/2006	6976/4651	3164/2110
Battery										
6.01	Battery voltage/capacity k5		kwh	Ah	19.4	404	26	542	26	542
6.02	Minimum battery weight		lb	kg	2350	1066	2800	1270	3100	1406
6.03	Minimum battery weight		lb	kg	1850	839	2200	998	2500	1134
6.04	Battery department size		in	mm	39.5×16.8×31.8	1005x428x810	39.5×18.3×31.8	1005x465x810	39.5×20.7×31.8	1005x527x810
Motor and controller										
7.01	Driving motor power		HP	kw	9.4	7	9.4	7	9.4	7
7.02	Lifting motor power		HP	kw	20.1	15	20.1	15	20.1	15
7.03	Steering motor power		HP	kw	0.8	0.6	0.8	0.6	0.8	0.6
7.04	Type of driving control				MOSFET/AC		MOSFET/AC		MOSFET/AC	
7.05	Type of lifting control				MOSFET/AC		MOSFET/AC		MOSFET/AC	
7.06	Type of steering control				MOSFET/AC		MOSFET/AC		MOSFET/AC	
7.07	Transmission box				HELI special		HELI special		HELI special	
7.08	Service brake				Electric		Electric		Electric	
7.09	Parking Brake				Automatic		Automatic		Automatic	
7.10	Hydraulic system working pressure		PSI	Mpa	3050	21	3050	21	3050	21

NOTE: For detailed information about battery,please contact your authorized HELI dealer.  
These are "Zero Clearance" aisles in the table and require an additional 150mm or more to be added to provide for easier maneuvering.

AST: Right angle stacking aisle width  
 a: Clearance a=150mm



**ZAPI intelligent display provides vital information such as speed and battery discharge status and is used to customize performance parameters**



**ZAPI intelligent display**

**OPTIONAL STRADDLE WIDTH**

Straddle inside width W2	in/mm	33.2/845	36/915	38/966	39.6/1008(standard)	42/1068	44/1119	46/1170	48/1221	50/1272
Straddle outside width W1	in/mm	44.7/1137	47.5/1207	49.5/1258	51.1/1300(standard)	53.5/1360	55.5/1411	57.5/1462	59.5/1513	61.5/1564

**WIDE VIEW FULL FREE 3-STAGE MAST**

Mast model	Fork Height		Free lift		Mast height		Load Capacity at 24" Load Center						Service Weight					
	CQD14X2		CQD14X2		CQD14X2		CQD14X2-GA2RLI		CQD14X2-GB2RLI		CQD14X2-GC2RLI		CQD14X2-GA2RLI		CQD14X2-GB2RLI		CQD14X2-GC2RLI	
	in	mm	in	mm	in	mm	lb	kg	lb	kg	lb	kg	lb	kg	lb	kg	lb	kg
ZSM502	198	5025	55	1390	96	2426	2976	1350	2976	1350	2976	1350	7893	3580	8263	3748	8607	3904
ZSM533	210	5330	59	1490	99	2526	2976	1350	2976	1350	2976	1350	7937	3600	8307	3768	8651	3924
ZSM610	240	6095	69	1745	109	2781	2646	1200	2646	1200	2646	1200	8091	3670	8461	3838	8805	3994
ZSM685	270	6855	79	2000	120	3036	2205	1000	2205	1000	2205	1000	8201	3720	8572	3888	8915	4044
ZSM762	300	7620	90	2285	131	3321	1764	800	1984	900	1984	900	8356	3790	8726	3958	9070	4114

**WIDE VIEW FULL FREE 3-STAGE MAST**

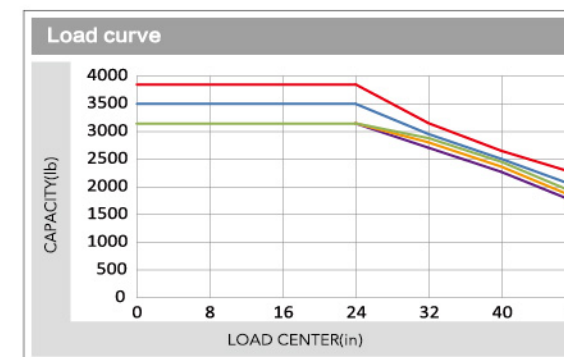
Mast model	Fork Height h3 (in)(mm)		Free lifting height h3 (in)(mm)		Mast height h1 (in)(mm)		Load Capacity at 24" Load Center (lb)(kg)		Service Weight (lb)(kg)							
	CQD16X1	CQD18X1	CQD16X1	CQD18X1	CQD16X1	CQD18X1	CQD16X1	CQD18X1	CQD16X1	CQD18X1						
ZSM502	198	5025	55	1390	95	2413	95	2413	3527	1600	3968	1800	7374	3345	7672	3480
ZSM533	210	5330	59	1490	99	2526	99	2526	3527	1600	3858	1750	7419	3365	7716	3500
ZSM610	240	6095	69	1745	109	2781	109	2781	3527	1600	3858	1750	7573	3435	7871	3570
ZSM685	270	6855	79	2000	120	3036	120	3036	2425	1100	2866	1300	7683	3485	7981	3620
ZSM762	300	7620	90	2285	131	3321	131	3321	2094	950	2425	1100	7837	3555	8135	3690

**Standard configuration**

- 36V electric system
- All AC motors with ZAPI controls
- 218" (5330mm) 3-stage full free lift mast
- Integral pantograph with tilt and sideshift
- Standard forks
- Load backrest
- Polyurethane tires
- Electromagnetic proportional valve
- Battery rollers
- Overhead guard
- LED combined display
- Front work light
- LED warning light
- Automatic steering slow down
- Electromagnetic, regenractive service brake
- Automatic park brake
- Low noise gear pump
- DC/DC converter

**Optional device**

- 48V electric system
- Additional mast heights - 198-300" (5025-7620mm)
- Lifting height pre-selector
- Monitoring system
- Additional batteries including Hoppecker and FAAM
- Battery charger
- Custom paint
- Additional operator protection guard
- Battery loading and unloading cart



- CQD14X2-GA2RLI
- CQD14X2-GB2RLI
- CQD14X2-GC2RLI
- CQD16X1
- CQD18X1

NOTE: The vertical axis is the load capacity, and the horizontal axis is the load center which is calculated from the front face of the forks to the load center of gravity. Capacity curves shown are for a standard mast at zero degree tilt with standard forks. Changing mast tilt, using non-standard forks or loading large goods can affect load capacity. This chart can be used to estimate load capacity at various load centers for standard masts. Contact HELI for specific load ratings for your situation.