

CBD20J Electric Pallet Truck

Characteristics:

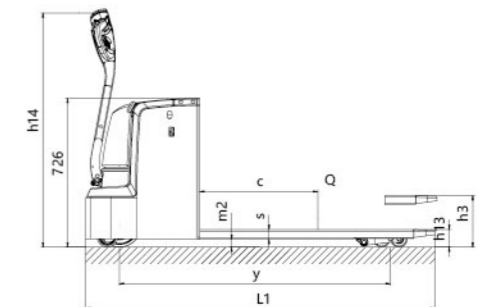
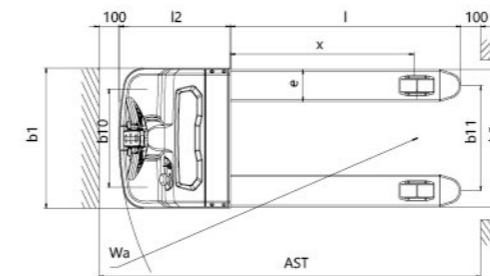
1. The truck has compact structure and small turning radius and it is suitable for narrow freight elevator.
2. The truck has electric lifting limit function. When the fork arm is lifted to the top position, the system will turn off the lifting circuit automatically which has safe performance, low energy consumption and long service life.
3. Mechanical steering is economy and has high reliability.
4. Split type design of truck body makes maintenance easier.
5. Emergent reversing device ensures operation safety.
6. Auxiliary wheels on two sides improves travelling stability.
7. Objects storage groove on top of truck body is beautiful and functional.



CBD20J

Manufacturer's Data and Design Characteristics

Characteristics			
1.1	Manufacturer		HELI
1.2	Model		CBD20J
1.3	Operator type		Pedestrian
1.4	Rated capacity	Q (kg)	2000
1.5	Lift height	h3 (mm)	200
1.6	Service weight with battery	kg	333
1.7	Load centre	c (mm)	600
1.8	Axle centre to fork face	x (mm)	931
1.9	Wheel base	y (mm)	1324
1.10	Controller		CURTIS
Wheels			
2.1	Wheels type		Polyurethane
2.2	Driving wheel size	$\Phi \times w$ (mm)	$\Phi 210 \times 70$
2.3	Bearing wheel size	$\Phi \times w$ (mm)	$\Phi 80 \times 70$
2.4	Additional wheels(dimensions)	$\Phi \times w$ (mm)	$\Phi 100 \times 40$
2.5	wheels, number front/rear (x=driven)		1x+2/4
2.6	track width, rear, loading side	b11 (mm)	380/525
Dimensions			
3.1	Overall length	l1 (mm)	1708
3.2	Length to fork face	l2 (mm)	558
3.3	Overall width	b1 (mm)	700
3.4	Fork dimensions	s/e/l (mm)	50/160/1150
3.5	Width of forks	b5 (mm)	550/685
3.6	Lowered height	h13 (mm)	85
3.7	Min. Ground clearance	m2 (mm)	35
3.8	Height drawbar in driving position min./max.	h14 (mm)	730/1165
3.9	Aisle width with pallet 1000 x 1200 across forks	Ast (mm)	1909
3.10	Aisle width with pallet 800 x 1200 along forks	Ast (mm)	1959
3.11	Min. Turning radius	Wa (mm)	1490
Performance			
4.1	Travel spees, with/without load	(km/h)	4.2/4.5
4.2	Lifting speed, with/without load	(mm/s)	20/26
4.3	Lowering speed, with/without load	(mm/s)	33/21
4.4	Max. Gradeability laden/unladen	(%)	3/10
4.5	Service brake type		Electromagnetic brake
Drive and Battery			
5.1	Drive motor, output s2 60 min.	(kW)	0.75
5.2	Lift motor rating at s3 15%	(kW)	0.8
5.3	Battery according to din 43531/35/36 a,b,c,no		no
5.4	Battery voltage/rated capacity	(V/Ah)	2 x 12/100
5.5	Battery weight ($\pm 5\%$)	(kg)	2 x 27
Others			
6.1	Type of drive control		DC
6.2	Sound pressure level at driver's ear	(dB(A))	≤ 70
6.3	Steering type		Mechanical steering



ANHUI HELI CO., LTD.

Add / No.668, FangXing Road, Hefei, China
Fax / +86-551-63639966

Tel / +86-551-63639068(America); 63639258(Europe);
63639358(Asia); 63662105(Africa & Middle East);
63639530(Key Accounts Division); 63662105(Wheel loader)